

4

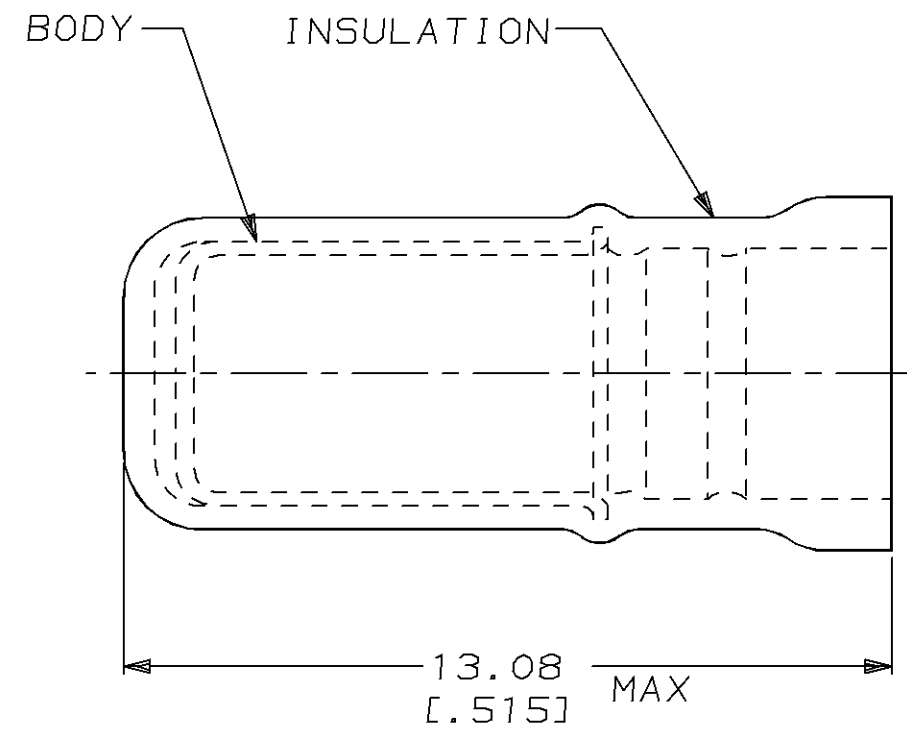
3

2

1

THIS DRAWING IS UNPUBLISHED. RELEASED FOR PUBLICATION ,19 .
 © COPYRIGHT 19 BY AMP INCORPORATED. ALL RIGHTS RESERVED.

LOC	DIST	REVISIONS					
		P	LTR	DESCRIPTION	DATE	DWN	APVD
G	14		N	REV / REDRAWN / 0720-0482-95 & 0720-0002-95	14FEB95	LO	ME



1. USE FOR AN UNSTRIPPED (SINGLE) WIRE END ONLY
2. WIRE INSUL DIA, 3.05-3.68 [.120-.145]

-	-	-
-	-	-
1000	LOOSE PIECE	324486
QTY	PACKAGE TYPE	PART NO

AMP INCORPORATED CUSTOMER SERVICE SYSTEM		MAX RECOMMENDED OPERATING TEMPERATURE: 105°C [221°F]	THIS DRAWING IS A CONTROLLED DOCUMENT FOR AMP INCORPORATED. IT IS SUBJECT TO CHANGE AND THE CONTROLLING ENGINEERING ORGANIZATION SHOULD BE CONTACTED FOR THE LATEST REVISION.		DWN L OLMEDA 14FEB95	AMP Incorporated Harrisburg, PA 17105-3608
FOR ADDITIONAL PRODUCT INFORMATION OR COPIES OF DRAWINGS AND TECHNICAL DOCUMENTS	PRODUCT INFORMATION CENTER 1-800-522-6752		DIMENSIONS: mm [in]	TOLERANCES UNLESS OTHERWISE SPECIFIED:	CHK M ELLIS 14FEB95	
FOR APPLICATION TOOLING INFORMATION	TOOLING ASSISTANCE CENTER 1-800-722-1111	VOLTAGE RATING: -	0 PLC ±-	1 PLC ±-	2 PLC ±0.20 [.008]	NAME SPARE WIRE CAP, BLUE
FOR ORDER ENTRY	1-800-526-5142	CIRCULAR MIL AREA: -	3 PLC ±-	4 PLC ±-	ANGLES ±-	SIZE A3
			MATERIAL BODY, CU PER ASTM B152	FINISH BODY, TIN PLATE PER MIL-T-10727	APPLICATION SPEC -	CAGE CODE 00779
			INSUL, NYLON, COLOR, BLUE		WEIGHT -	DRAWING NO C-324486
					CUSTOMER DRAWING	SCALE 8:1
						SHEET 1 OF 1
						REV N